

LAJU SINERGI METALINDO

HIGH QUALITY DUCTILE IRON CASTING PRODUCT



ABOUT US

LAJU SINERGI METALINDO IS A DUCTILE IRON FOUNDRY FACTORY LOCATED IN SEMARANG, THE CAPITAL OF CENTRAL JAVA, ABOUT 450 KM FROM JAKARTA, THE CAPITAL CITY OF INDONESIA. STRATEGICALLY LOCATED IN AN INDUSTRIAL AREA AND ONLY 18 KM TO THE NEAREST PORT, TANJUNG MAS.

LAJU SINERGI METALINDO IS ONE OF THE COMPANY IN TSP GROUP, WHICH IS WELL KNOWN WITH TSP BRAND MALLEABLE IRON PIPE FITTINGS FOR MORE THAN 30 YEARS. LAJU SINERGI METALINDO PRODUCES DUCTILE IRON CASTING PRODUCTS FOR DOMESTIC MARKET AS WELL AS INTERNATIONAL MARKET.

EQUIPPED WITH VERTICAL AND HORIZONTAL LINE MOLDING MACHINES WITH INDUCTION FURNACES, LAJU SINERGI METALINDO HAS THE CAPACITY OF 750 TONS MONTHLY FOR DUCTILE IRON PRODUCTS. WITH HIGH QUALITY PRODUCTS AND EXCELLENT SERVICE, LAJU SINERGI METALINDO IS READY TO OFFER COMPETITIVE PRICE AND RELIABLE DELIVERY LEAD TIME.

ESTABLISHED IN 2015, OUR PRODUCTS RANGE FROM DUCTILE IRON THREADED FITTINGS, SCAFFOLDING JACK NUT, WEDGES, ELECTRICAL PARTS, GAS CONNECTION PARTS AND VARIETIES OF OEM PRODUCTS. WE DESIGN, DRAW AND MANUFACTURE OEM PRODUCTS FROM CASTING TO MACHINING WITH COMPETITIVE PRICE AND EXCELLENT SERVICE.





BAJI BESAR
(PAGE 4)



BAJI KECIL
(PAGE 5)



CLAMP SADDLE SILVER
(PAGE 6)



CLAMP SADDLE BLACK
(PAGE 7)



BASE PLATE R.54
(PAGE 8)



SUSPENSION 70KN
(PAGE 9)



JACKNUT GG PENDEK
(PAGE 10)



JACKNUT PCH
(PAGE 11)



JACKNUT TR-32
(PAGE 12)



JACKNUT TR-35
(PAGE 13)



WINGNUT C TYPE C
(PAGE 14)



WINGNUT C TYPE A
(PAGE 15)



WATERSTOP
(PAGE 16)



WINGNUT A
(PAGE 17)



SHOULDER KA
(PAGE 18)



SYNUT B.2
(PAGE 19)

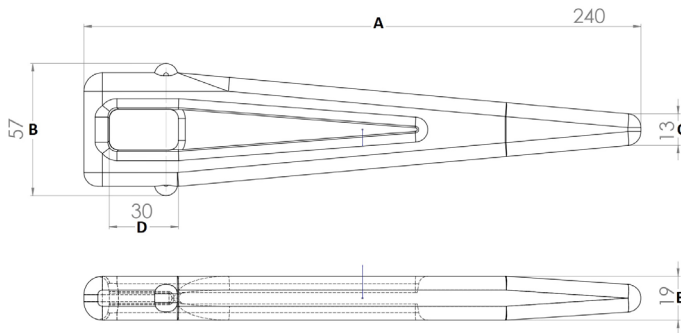


TYOKE
(PAGE 20)





BAJI BESAR

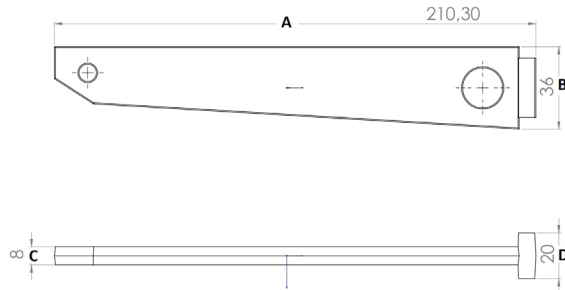


MATERIAL : Ductile Iron FCD 450 / ASTM A536 (Grade 65-45-12)
FINISH : Bare With Anti Rust Coating

WEIGHT/PCS (KG)	PACKING (PCS/BAG)	NOMOR SKU
0.813	30/BAG	TBJBZB01

DIMENSI DRAWING

A	B	C	D
240 mm	57 mm	13 mm	30 mm



MATERIAL
FINISH

- : Ductile Iron FCD 450 / ASTM A536 (Grade 65-45-12)
- : Bare With Anti Rust Coating

WEIGHT/PCS (KG)	PACKING (PCS/BAG)	NOMOR SKU
0,314	100/BAG	TBJKBZ02

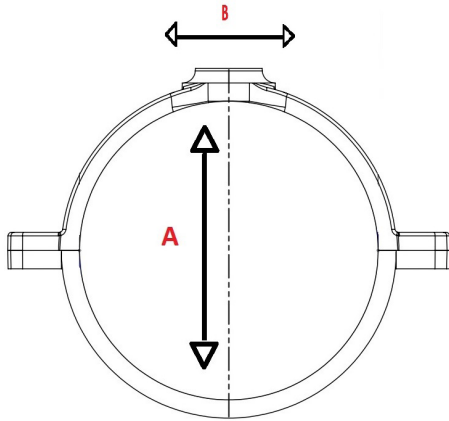
DIMENSI DRAWING

A	B	C	D
210,3 mm	36 mm	8 mm	20 mm





CLAMP SADDLE SILVER

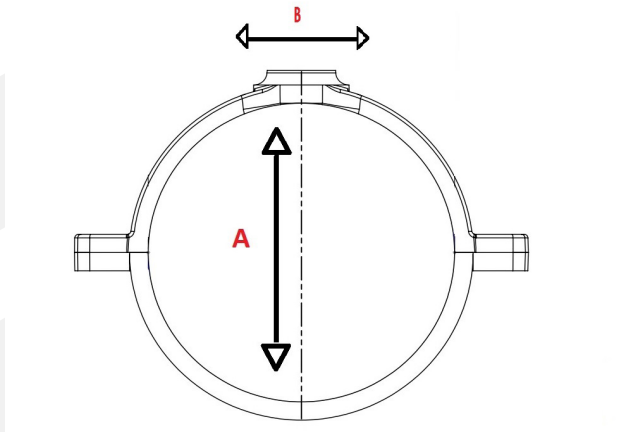


MATERIAL : Ductile Iron FCD 450 / ASTM A536 (Grade 65-45-12)
FINISH : Bare With silver paint

A (INCHES)	B (INCHES)	WEIGHT/PCS (KG)	PACKING (PCS/BAG)	NOMOR SKU
1-1/2	1/2	0.309	75/BOX	TCLSSA04
1-1/2	3/4	0.312	75/BOX	TCLSSB04
2	1/2	0.395	50/BOX	TCLSSD04
2	3/4	0.387	50/BOX	TCLSSE04
2	1	0.421	50/BOX	TCLSSF04
3	1/2	0.762	30/BOX	TCLSSG04
3	3/4	0.774	30/BOX	TCLSSH04
3	1	0.764	30/BOX	TCLSSI04
4	1/2	0.993	20/BOX	TCLSSJ04
4	3/4	1.01	20/BOX	TCLSSK04
4	1	0.96	20/BOX	TCLSSL04
6	1/2	1.376	12/BOX	TCLSSM04
6	3/4	1.396	12/BOX	TCLSSN04
6	1	1.4	12/BOX	TCLSSP04

CLAMP SADDLE BLACK

7



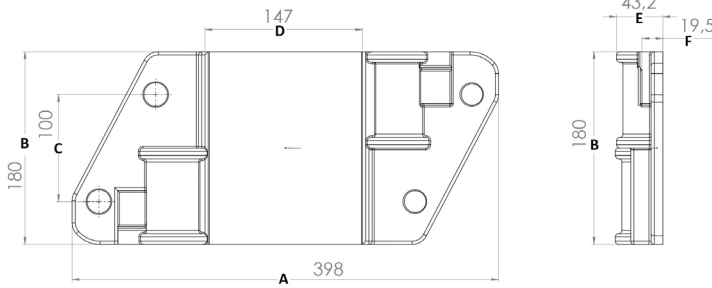
MATERIAL : Ductile Iron FCD 450 / ASTM A536 (Grade 65-45-12)
FINISH : Bare With Anti Rust Coating

A (INCHES)	B (INCHES)	WEIGHT/PCS (KG)	PACKING (PCS/BAG)	NOMOR SKU
1-1/2	1/2	0.302	75/BOX	TCLSBA04
1-1/2	3/4	0.305	75/BOX	TCLSBB04
1-1/2	1	0.302	75/BOX	TCLSBC04
2	1/2	0.384	50/BOX	TCLSBD04
2	3/4	0.386	50/BOX	TCLSBE04
2	1	0.419	50/BOX	TCLSBF04
3	1/2	0.754	30/BOX	TCLSBG04
3	3/4	0.771	30/BOX	TCLSBH04
3	1	0.781	30/BOX	TCLSB I04
4	1/2	0.999	20/BOX	TCLSB J04
4	3/4	1.002	20/BOX	TCLSBK04
4	1	0.961	20/BOX	TCLSBL04
6	1/2	1.288	12/BOX	TCLSBM04
6	3/4	1.413	12/BOX	TCLSBN04





BASE PLATE R.54



MATERIAL : Ductile Iron FCD 450 / ASTM A536 (Grade 65-45-12)
FINISH : Bare With Anti Rust Coating

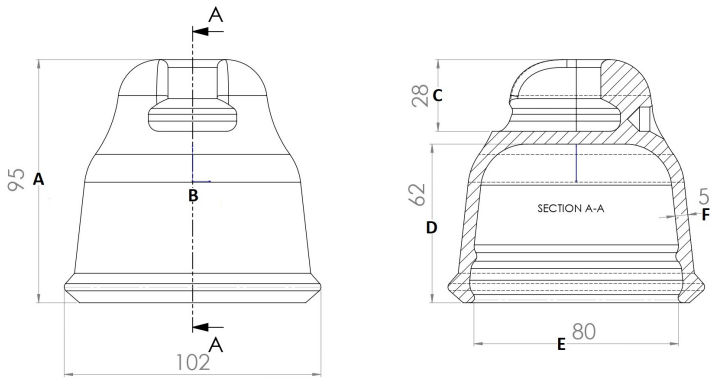
WEIGHT/PCS (KG)	PACKING (PCS/BAG)	NOMOR SKU
7,8	90/CRATE	TBPLBZ03

DIMENSI DRAWING

A	B	C	D
398 mm	180 mm	100 mm	147 mm

SUSPENSION 70KN

9



MATERIAL
FINISH

- : Ductile Iron FCD 450 / ASTM A536 (Grade 65-45-12)
- : Bare With Anti Rust Coating

WEIGHT/PCS (KG)	PACKING (PCS/BAG)	NOMOR SKU
1,129	30/BAG	TSPSBZ10

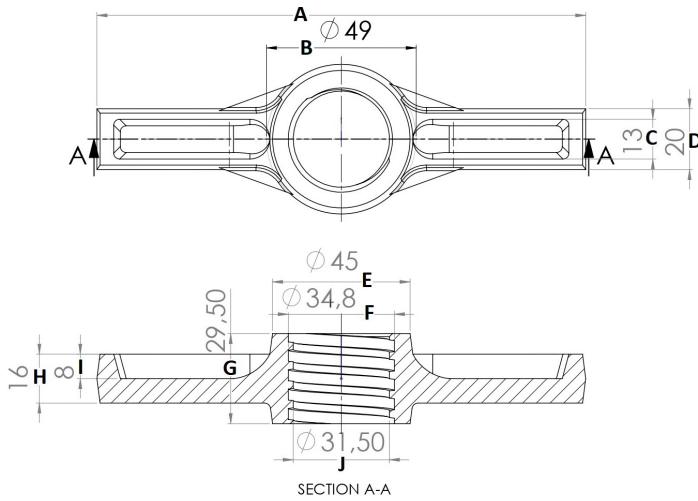
DIMENSI DRAWING

A	B	C	D	E	F
95 mm	102 mm	28 mm	62 mm	80 mm	5 mm





JACKNUT GG PENDEK



- MATERIAL** : Ductile Iron FCD 450 / ASTM A536 (Grade 65-45-12)
FINISH : Bare With Anti Rust Coating

WEIGHT/PCS (KG)

0,338

PACKING (PCS/BAG)

100/BAG

NOMOR SKU

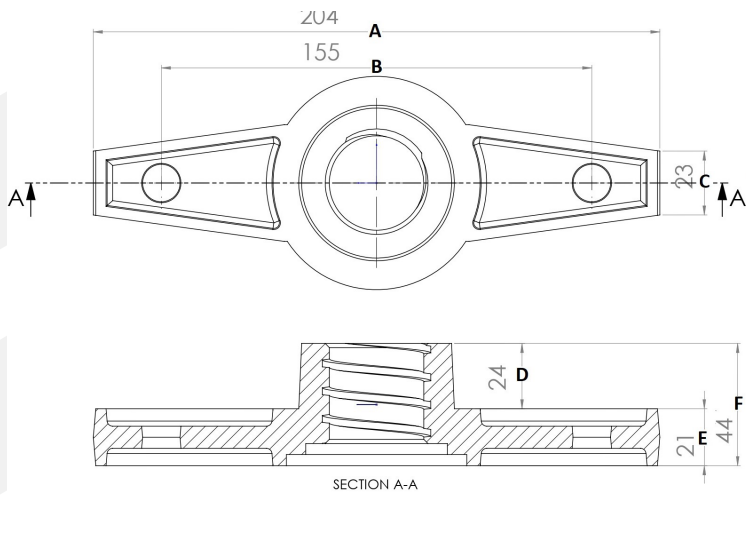
TJGPBZ05

DIMENSI DRAWING

A	B	C	D	E	F	G	H	I	J
160 mm	49 mm	13 mm	20 mm	45 mm	34,8 mm	29,5 mm	16 mm	8 mm	31,5 mm

JACKNUT PCH

11



MATERIAL
FINISH

- : Ductile Iron FCD 450 / ASTM A536 (Grade 65-45-12)
- : Bare With Anti Rust Coating

WEIGHT/PCS (KG)	PACKING (PCS/BAG)	NOMOR SKU
1,038	30/BAG	TJPCBZ06

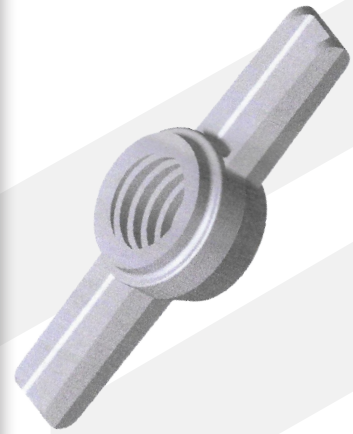
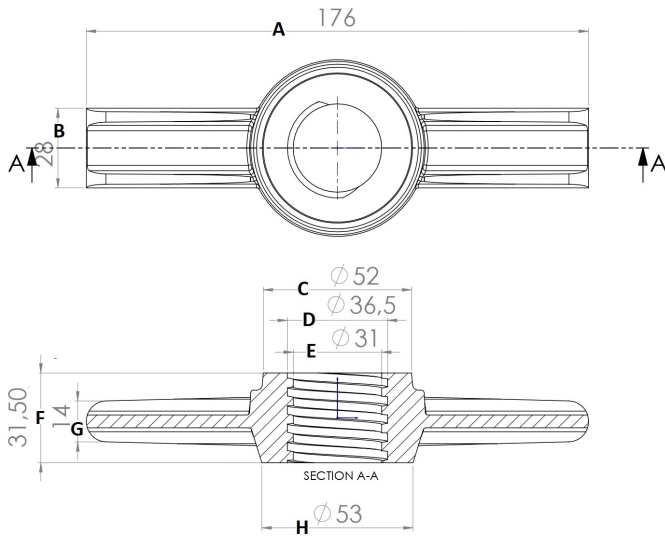
DIMENSI DRAWING

A	B	C	D	E	F
204 mm	155 mm	23 mm	24 mm	21 mm	44 mm





JACKNUT TR-32

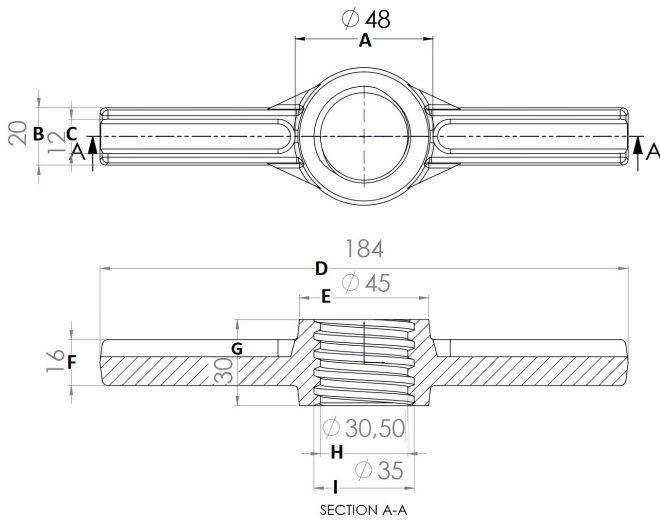


MATERIAL : Ductile Iron FCD 450 / ASTM A536 (Grade 65-45-12)
FINISH : Bare With Anti Rust Coating

WEIGHT/PCS (KG)	PACKING (PCS/BAG)	NOMOR SKU
0,557	50/BAG	TJTTBZ07

DIMENSI DRAWING

A	B	C	D	E	F	G	H
176 mm	28 mm	52 mm	36,5 mm	31 mm	31,5 mm	14 mm	53 mm



MATERIAL
FINISH

- : Ductile Iron FCD 450 / ASTM A536 (Grade 65-45-12)
- : Bare With Anti Rust Coating

WEIGHT/PCS (KG)

0,343

PACKING (PCS/BAG)

75/BAG

NOMOR SKU

TJTRBZ08

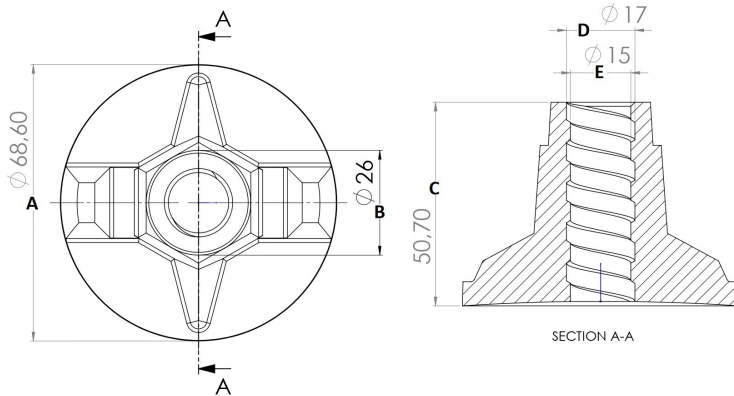
DIMENSI DRAWING

A	B	C	D	E	F	G	H	I
48 mm	20 mm	12 mm	184 mm	45 mm	16 mm	30 mm	30,5 mm	35 mm





WINGNUT C TYPE C



- MATERIAL** : Ductile Iron FCD 450 / ASTM A536 (Grade 65-45-12)
FINISH : Bare With Anti Rust Coating

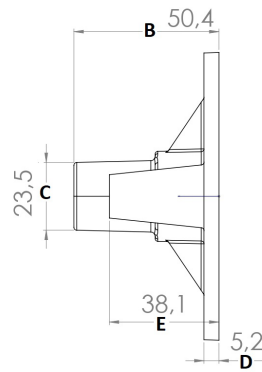
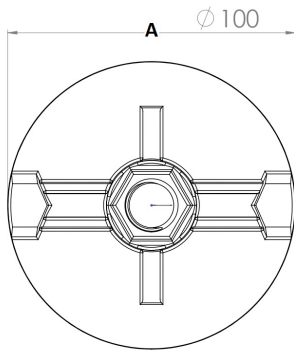
WEIGHT/PCS (KG)	PACKING (PCS/BAG)	NOMOR SKU
0,375	75/BAG	TWCCBZ16

DIMENSI DRAWING

A	B	C	D	E
68,6 mm	26 mm	50,7 mm	17 mm	15 mm

WINGNUT C TYPE A

15



MATERIAL
FINISH

- : Ductile Iron FCD 450 / ASTM A536 (Grade 65-45-12)
- : Bare With Anti Rust Coating

WEIGHT/PCS (KG)

0,597

PACKING (PCS/BAG)

50/BAG

NOMOR SKU

TWCABZ15

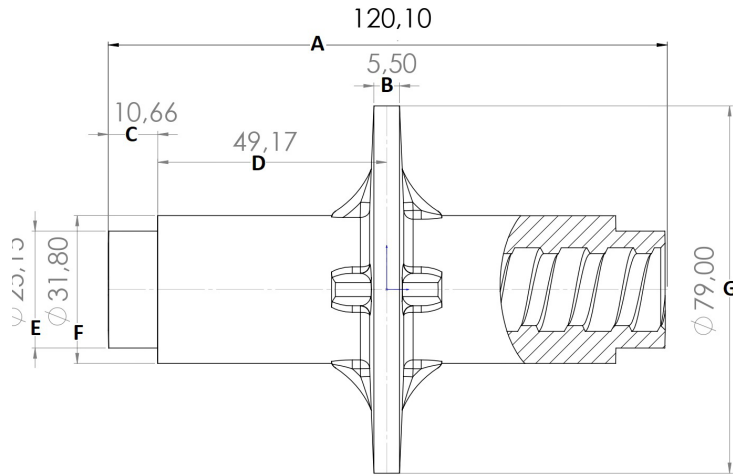
DIMENSI DRAWING

A	B	C	D	E
100 mm	50,4 mm	23,5 mm	5,2 mm	38,1 mm





WATERSTOP



MATERIAL : Ductile Iron FCD 450 / ASTM A536 (Grade 65-45-12)
FINISH : Bare With Anti Rust Coating

WEIGHT/PCS (KG)

0,64

PACKING (PCS/BAG)

50/BAG

NOMOR SKU

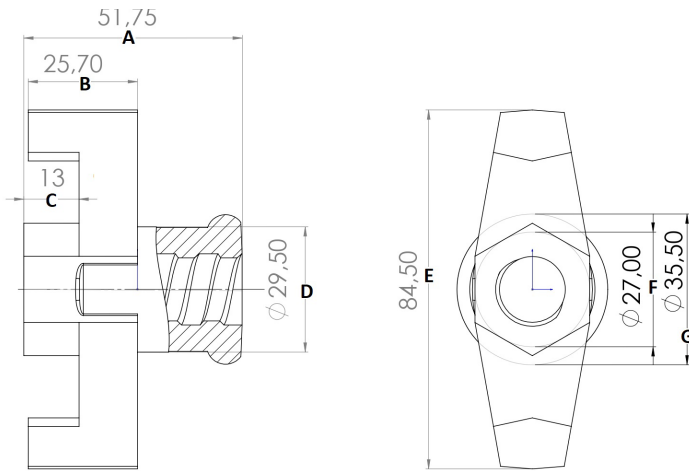
TWTRBZ13

DIMENSI DRAWING

A	B	C	D	E	F	G
120,1 mm	5,5 mm	10,66 mm	49,17 mm	25,15 mm	31,8 mm	79 mm

WINGNUT A

17



MATERIAL FINISH

- : Ductile Iron FCD 450 / ASTM A536 (Grade 65-45-12)
- : Bare With Anti Rust Coating

WEIGHT/PCS (KG)

0,3

PACKING (PCS/BAG)

100/BAG

NOMOR SKU

TWWABZ14

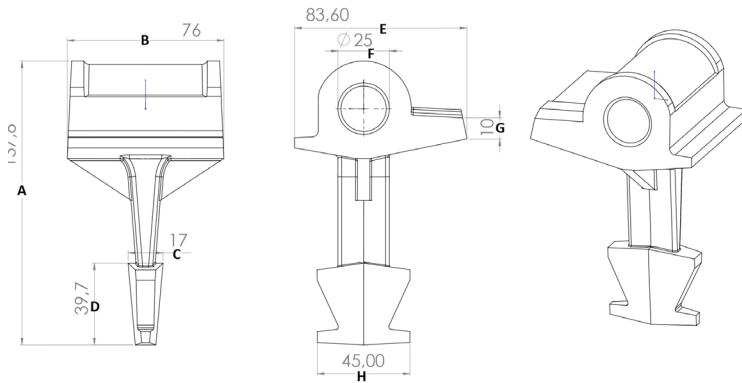
DIMENSI DRAWING

A	B	C	D	E	F	G	H
114 mm	73,5 mm	71,5 mm	61,5 mm	58,8 mm	23 mm	16,5 mm	29,5 mm





RAILWAY SHOULDER

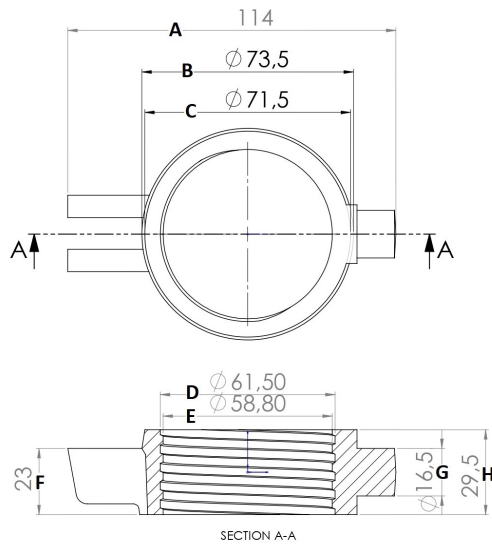


MATERIAL : Ductile Iron FCD 450 / ASTM A536 (Grade 65-45-12)
FINISH : Bare With Anti Rust Coating

WEIGHT/PCS (KG)	PACKING (PCS/BAG)	NOMOR SKU
1,196	25/BAG	TSHDBZ09

DIMENSI DRAWING

A	B	C	D	E	F	G	H
137,8 mm	76 mm	17 mm	39,7 mm	83,6 mm	25 mm	10 mm	45 mm



MATERIAL
FINISH

- : Ductile Iron FCD 450 / ASTM A536 (Grade 65-45-12)
- : Bare With Anti Rust Coating

WEIGHT/PCS (KG)

0,33

PACKING (PCS/BAG)

100/BAG

NOMOR SKU

TSYNBZ11

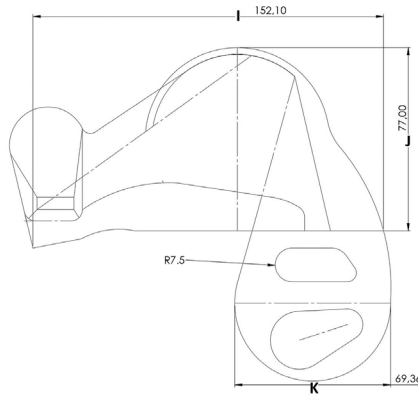
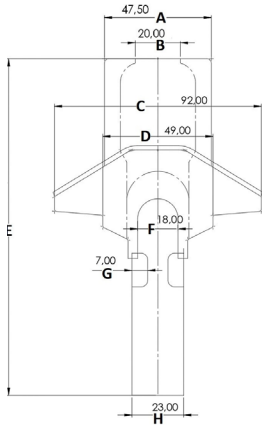
DIMENSI DRAWING

A	B	C	D	E	F	G	H
114 mm	73,5 mm	71,5 mm	61,5 mm	58,8 mm	23 mm	16,5 mm	29,5 mm





TYOKE



MATERIAL : Ductile Iron FCD 450 / ASTM A536 (Grade 65-45-12)
FINISH : Bare With Anti Rust Coating

WEIGHT/PCS (KG)	PACKING (PCS/BAG)	NOMOR SKU
2,218	15/BAG	TTYKBZ12

DIMENSI DRAWING

A	B	C	D	E	F	G	H	I	J	K
47,5 mm	20 mm	92 mm	49 mm	149,7 mm	18 mm	7 mm	23 mm	152,1 mm	77 mm	69,36 mm



PT LAJU SINERGI METALINDO
JL. TUGU WIJAYA KUSUMA IV NO.24
KELURAHAN RANDUGARUT
KECAMATAN TUGU SEMARANG 50153
CENTRAL JAVA, INDONESIA
PHONE; +62-24-84310888
FAX; +62-24-8310777

WWW.LAJUSINERGIMETALINDO.COM





LAJU SINERGI
METALINDO